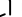
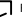


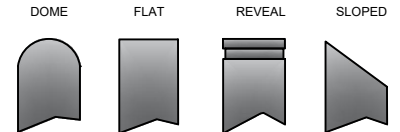
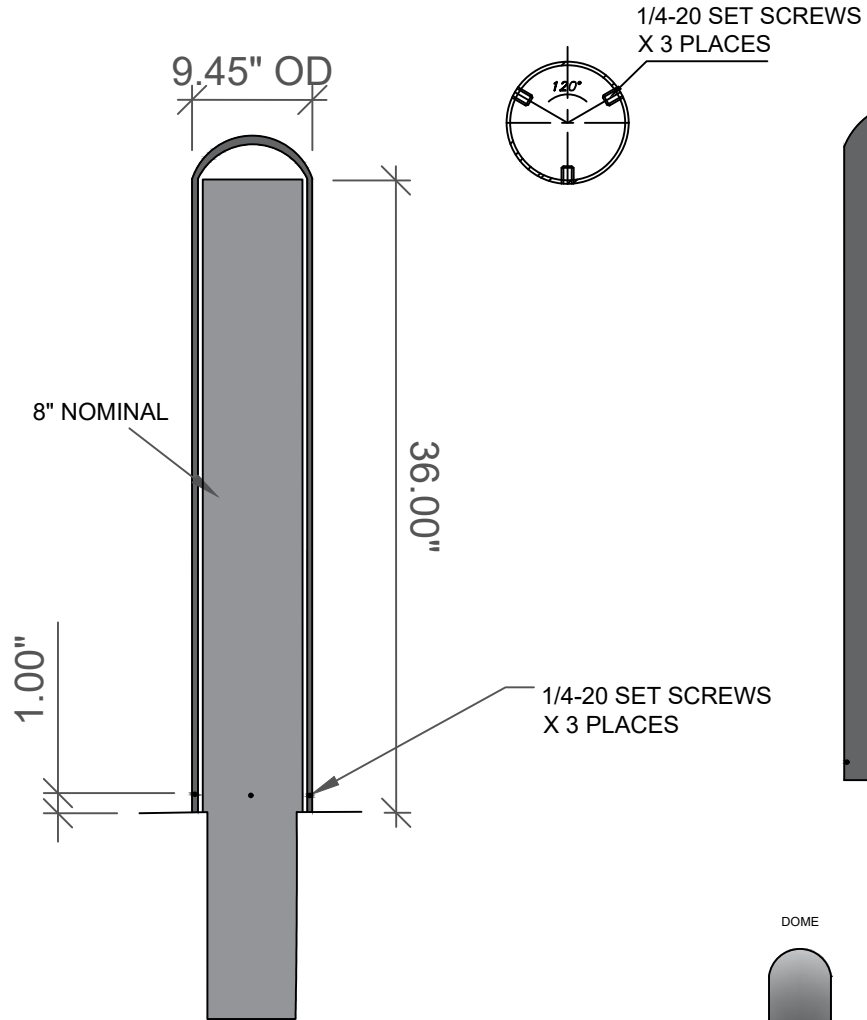
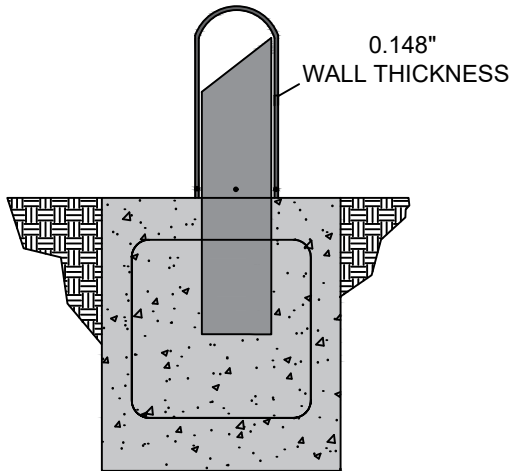


# 1-800-BOLLARDS

The Bollard Experts

- 9" BOLLARD COVER  
(8" NOMINAL BOLLARD SIZE)
- CSS9010 SCHED 10 STAINLESS STEEL COVER
- STAINLESS STEEL BOLLARD COVER FINISH
- POLISHED #4
- SELECT DESIRED STAINLESS STEEL BOLLARD MATERIAL:
- TYPE 304
- TYPE 316
- SELECT DESIRED BOLLARD CAP STYLE:
-  DOME
-  FLAT
-  REVEAL
-  SLOPED
- COVER HEIGHT SELECTION FROM:
- BASE OF BOLLARD
- TOP OF BOLLARD \_\_\_\_\_ INCHES



REVISIONS			
LTR	DESCRIPTION	DATE	APPVD

COMMENTS


SPECIFICATIONS  
HEIGHT: 36"  
DIAMETER: 9.45"  
WALL THICKNESS: 0.148"

NOTES:  
1. INSTALLATION TO BE COMPLETED IN ACCORDANCE WITH MANUFACTURER'S SPECIFICATIONS.  
2. DO NOT SCALE DRAWING.  
3. THIS DRAWING IS INTENDED FOR USE BY ARCHITECTS, ENGINEERS, CONTRACTORS, CONSULTANTS AND DESIGN PROFESSIONALS FOR PLANNING PURPOSES ONLY. THIS DRAWING AND ALL INFORMATION CONTAINED HEREIN WAS CURRENT AT THE TIME OF DEVELOPMENT BUT MUST BE REVIEWED AND APPROVED BY THE PRODUCT MANUFACTURER TO BE CONSIDERED ACCURATE.

APPLICATION		TITLE	
NEXT ASSY	USED ON		
		1-800-BOLLARDS, Inc.	BOLLARD, COVER
		10 Hughes Suite A105	
		Irvine, CA 92618	
		PHONE: 1-800-BOLLARDS	
		WEB: WWW.1800BOLLARDS.COM	
		EMAIL: INFO@1800BOLLARDS.COM	

SERIES NUMBER: C9000	CAGE CODE: C9	REV: 9	DRAWING NUMBER: C90
PRODUCT FAMILY: FIXED BOLLARD	PRODUCT CLASS: STANDARD OR CUSTOMER DEFINED	DRAWN BY: AJA	DRAWING REV:
PRODUCT LINE: BOLLARD	PRODUCT SUB LINE: COVER	CHECKED BY:	SHEET: 1 OF 1
		APPROVED BY:	RELEASE DATE: 1-3-2023